

TECHNICAL DATA
ELECTRO CHEMISTRY
DIFFERENTIAL PH AND ORP



pHD sc Digital Diferrential PH and ORP Sensors

Ordering Information

pH sc Digital Differential pH/ORP Sensors

All digital sensors include built-in digital electronics and integral 10 m cable terminated with connector for the sc100 digital controller. Body styles:

- Convertible – 1-inch NPT threads at both ends, designed for tee-mounting or other flow through mountings, and pipe mounting for immersion
- Insertion – no threads on the electrode end, designed for use with insertion valve assembly
- Sanitary – 2-inch flange for a tri-clover style fitting
- Immersion – used with chain mounting or pipe mounting

pH Sensors

Product Number	Body Material	Body Style	Electrode Material	Max Temp
DPD1P1.99	PEEK ¹	Convertible	Glass, General Purpose	70°C
DPD1P3.99	PEEK ¹	Convertible	Glass, HF-resistant	70°C
DPD2P1.99	PEEK ¹	Insertion	Glass, General Purpose	70°C
DPD3P1.99	PEEK ¹	Sanitary	Glass, General Purpose	70°C
DPD1R1.99	Ryton ²	Convertible	Glass, General Purpose	70°C
DPD1R3.99	Ryton ²	Convertible	Glass, HF-resistant	70°C

¹Polyetheretherketone ²Polyphenylene Sulfide

ORP Sensors

Product Number	Body Material	Body Style	Electrode Material	Max Temp
DRD1P5.99	PEEK ¹	Convertible	Platinum	70°C
DRD1P6.99	PEEK ¹	Convertible	Gold	70°C
DRD2P5.99	PEEK ¹	Insertion	Platinum	70°C
DRD1R5.99	Ryton ²	Convertible	Platinum	70°C
DRD1R6.99	Ryton ²	Convertible	Gold	70°C

¹Polyetheretherketone ²Polyphenylene Sulfide

Digital Gateway

6120500.99	ADpHD Digital Gateway, convert pHD analog sensors to digital output for connecting to sc100 digital controller
-------------------	--

pHD Analog Sensors

All analog sensors include built-in preamplifier and integral 4.5 m cable terminated with stripped and tinned wires.

Definitions of body styles:

- Convertible – 1-inch NPT threads at both ends, designed for tee-mounting or other flow through mountings, and pipe mounting for immersion
- Insertion – has no threads on the electrode end, designed for use with insertion valve assembly
- Sanitary – has a 2-inch flange for a Tri-Clover style fitting

pH Sensors

Product Number	Body Material	Body Style	Electrode Material	Max Temp
PD1P1.99	PEEK ¹	Convertible	Glass, General Purpose	95°C
PD1P3.99	PEEK ¹	Convertible	Glass, HF-resistant	95°C
PD2P1.99	PEEK ¹	Insertion	Glass, General Purpose	95°C
PD3P1.99	PEEK ¹	Sanitary	Glass, General Purpose	95°C
PD1R1.99	Ryton ²	Convertible	Glass, General Purpose	95°C
PD1R3.99	Ryton ²	Convertible	Glass, HF-resistant	95°C

¹Polyetheretherketone ²Polyphenylene Sulfide

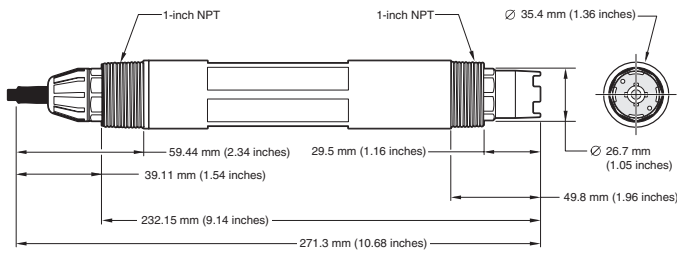
ORP Sensors

Product Number	Body Material	Body Style	Electrode Material	Max Temp
RD1P5.99	PEEK ¹	Convertible	Platinum	95°C
RD1P6.99	PEEK ¹	Convertible	Gold	95°C
RD2P5.99	PEEK ¹	Insertion	Platinum	95°C
RD1R5.99	Ryton ²	Convertible	Platinum	95°C
RD1R6.99	Ryton ²	Convertible	Gold	95°C

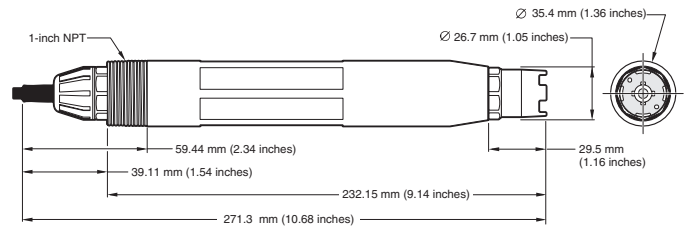
¹Polyetheretherketone ²Polyphenylene Sulfide

Dimensions

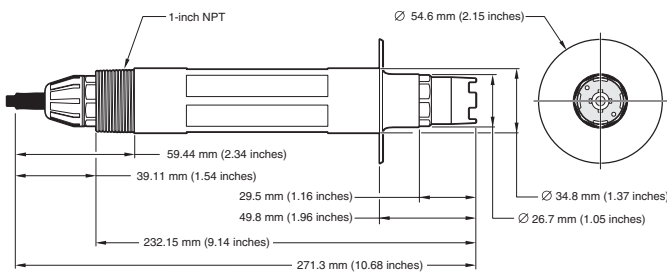
Convertible Style



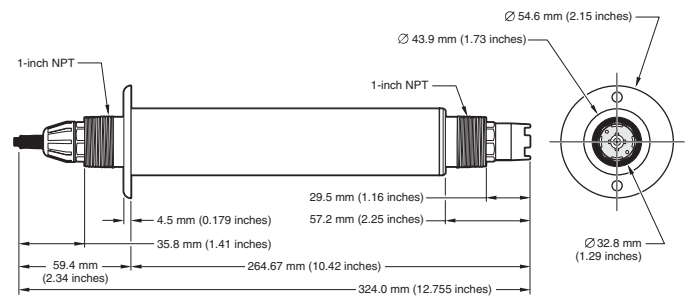
Insertion Style



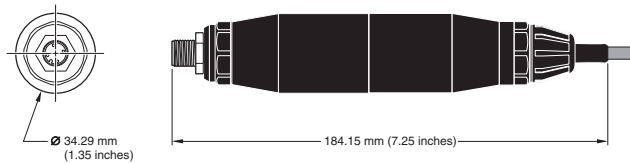
Sanitary Style



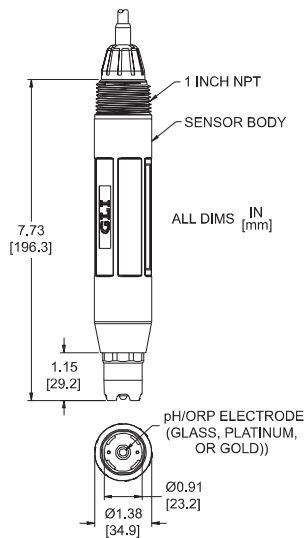
Immersion Style



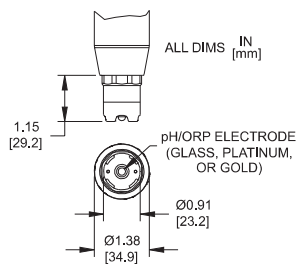
Digital Gateway



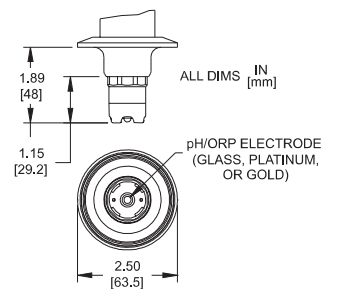
Analog Convertible Style



Analog Insertion Style



Analog Sanitary Style



Specifications

pH Sensors

Most pH applications fall in the 2.5 to 12.5 pH range. A Hach Lange pHD sc Differential pH sensor with the wide-range glass process electrode performs exceptionally well in this range. Some industrial applications require accurate measurement and control below 2 or above 12 pH. In these special cases, please contact Hach Technical Support for further details.

Measuring Range

-2 to 14 pH

Sensitivity

± 0.01 pH

Stability

0.03 pH per 24 hours, non-cumulative

Operating Temperature

Digital Sensor: -5 to 70°C

Analog Sensor with Digital Gateway: -5 to 105°C

Immersion Sensor: 0 to 50°C

Flow Rate

3 m per second, maximum

Sensor Pressure/Temperature Limits

Digital: 6.9 bar at 70°C

Analog: 6.9 bar at 105°C

Built-in Temperature Element

NTC 300 ohm thermistor for automatic temperature compensation and analyzer temperature readout

Transmission Distance

100 m, maximum

1000 m, maximum when used with a termination box

Sensor Cable (integral)

4 conductor cable with one shield and polyurethane jacket; rated to 105°C; 10 m standard length

Wetted Materials

PEEK[®] or Ryton[®] (PVDF), salt bridge of matching material with Kynar[®] junction, glass process electrode, titanium ground electrode, and Viton[®] O-ring seals

(pH sensor with optional HF-resistant glass process electrode has 316 stainless steel ground electrode, and perfluoroelastomer wetted O-rings; consult factory for other available wetted O-ring materials)

ORP (Redox) Sensors

For best ORP measuring results in solutions containing zinc, cyanide, cadmium or nickel, Hach recommends using the pHD sc ORP sensor equipped with an optional gold electrode.

Measuring Range

-1500 to +1500 mV

Sensitivity

± 0.5 mV

Stability

2 mV per 24 hours, non-cumulative

Operating Temperature

Digital Sensor: -5 to 70°C

Analog Sensor with Digital Gateway: -5 to 105°C

Immersion Sensor: 0 to 50°C

Flow Rate

3 m (10 ft.) per second, maximum

Sensor Pressure/Temperature Limits

Digital: 6.9 bar at 70°C

Analog: 6.9 bar at 105°C

Built-in Temperature Element

NTC 300 ohm thermistor for analyzer temperature readout only—no automatic temperature compensation necessary for ORP measurement

Transmission Distance

100 m, maximum

1000 m, maximum when used with a termination box

Sensor Cable (integral)

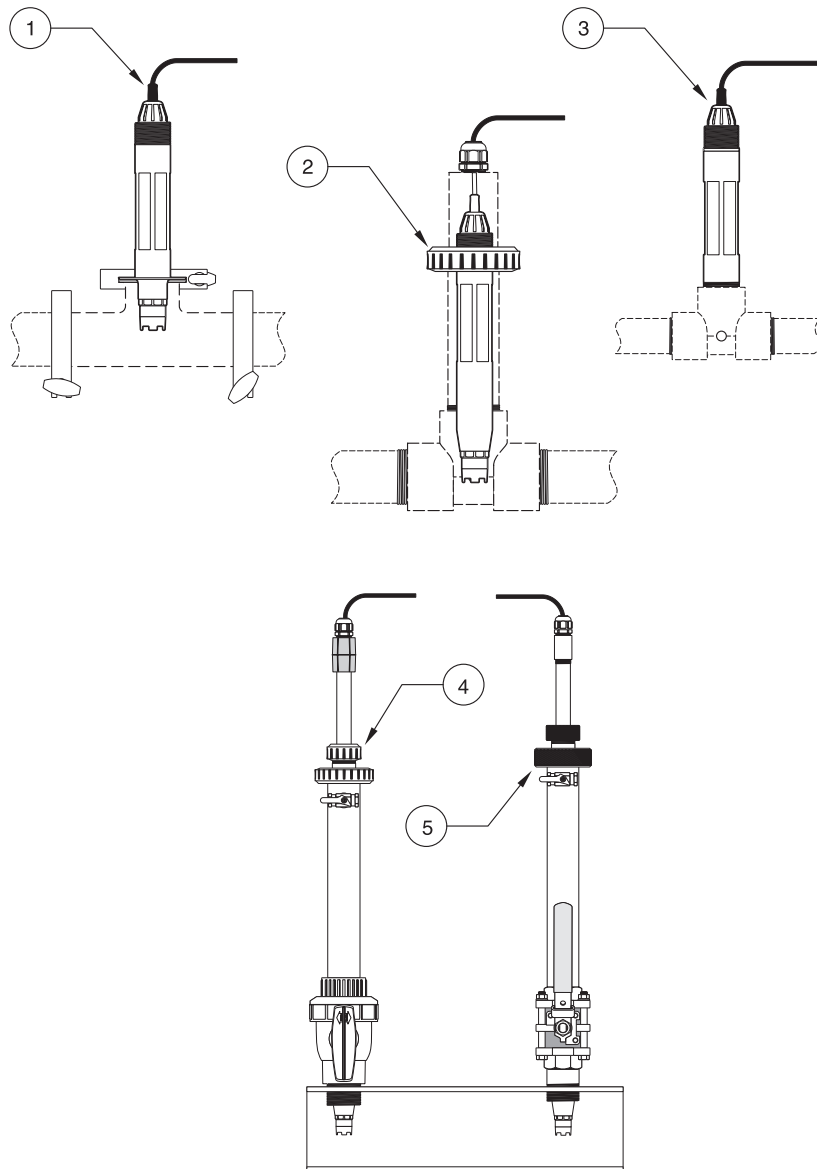
4 conductor cable with one shield and polyurethane jacket; rated to 105°C; 10 m standard length

Wetted Materials

PEEK[®] or Ryton[®] (PVDF), salt bridge of matching material with Kynar[®] junction, glass and platinum (or plastic and gold) process electrode, titanium ground electrode, and Viton[®] O-ring seals

*Specifications subject to change without notice.

Mounting Hardware



Sanitary Mount (1)

MH018S8SZ 316 SS

Includes 2-inch sanitary tee and heavy-duty clamp. Special cap and EPDM compound gasket are supplied with sensor but can be separately ordered.

Union Mount (2)

61313-00 CPVC
61314-00 316 SS

Includes standard 1-1/2 inch tee, special union pipe with adapter, sealing hub, and lock ring in respective material, and Viton® O-ring.

Flow-through Mount (3)

MH334N4NZ CPVC
MH314N4MZ 316 SS

Includes a standard 1-inch tee in respective material.

Insertion Mount (4) + (5)

Digital

61367-00 CPVC
61368-00 316 SS

Includes a 1-1/2 inch ball valve in respective material, 1-1/2 inch NPT close nipple, sensor adapter with two Viton® O-rings and wiper, extension pipe, pipe adapter, back tube, and lock ring.

Analog

MH736M4MZ CPVC
MH716M4MZ 316

Immersion Mount

See separate Technical Datasheet for Immersion Mounting Hardware.

ELECTRO CHEMISTRY
DIFFERENTIAL PH AND ORP

**DR. BRUNO LANGE
GMBH & CO. KG**
Willstätterstraße 11
D-40549 Düsseldorf
Tel. +49 (0) 2 11 52 88-0
Fax +49 (0) 2 11 52 88-143
info@hach-lange.de
www.hach-lange.com

HACH LANGE LTD
Lennox Road
Basingstoke
Hampshire, RG22 4AP
Tel. +44 (0)1256 33 34 03
Fax +44 (0)1256 33 07 24
info@hach-lange.co.uk
www.hach-lange.com

HyXo Oy
P.O. Box 16 (Palokorvenkatu 2)
FI-04261 Kerava, Finland
Tel. +358 10 417 4500
Fax +358 10 417 4501
hyxo@hyxo.fi • www.hyxo.com



LANGE 